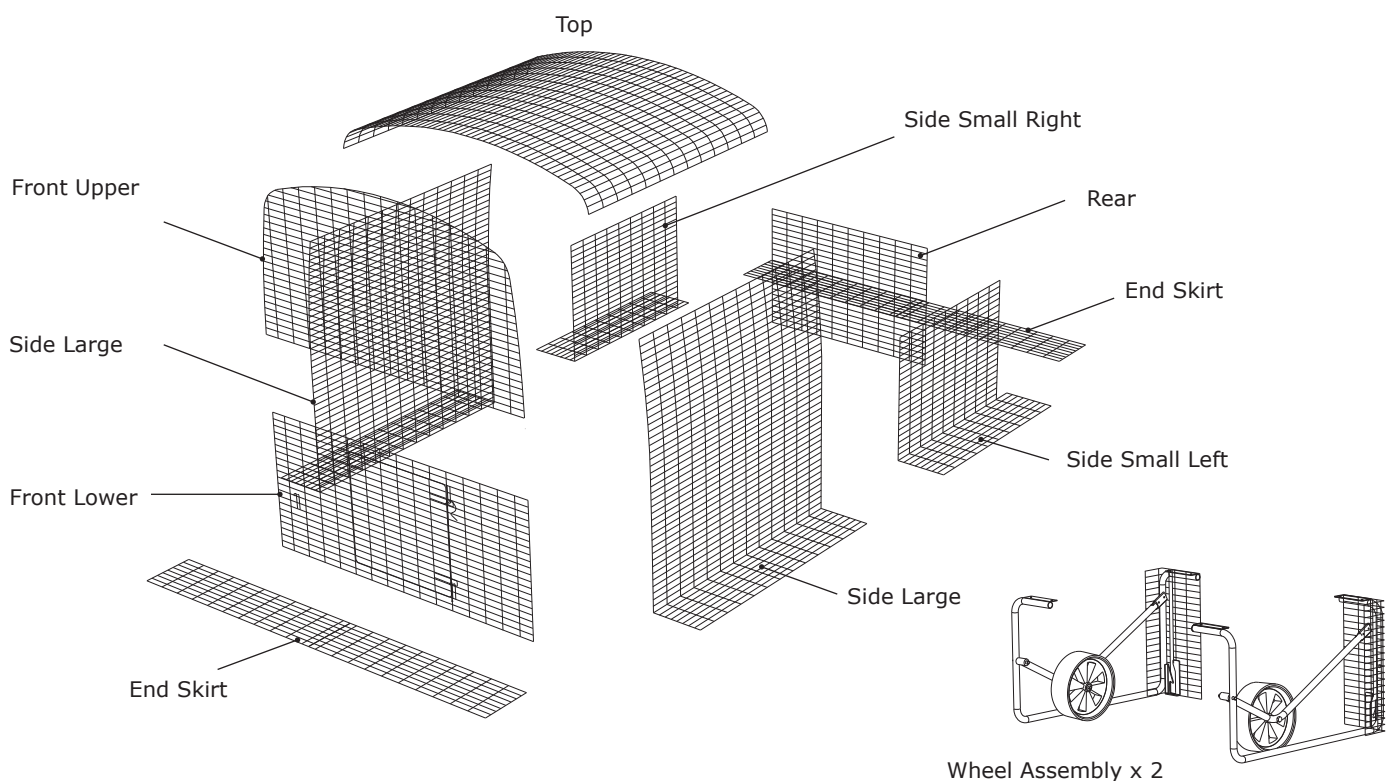
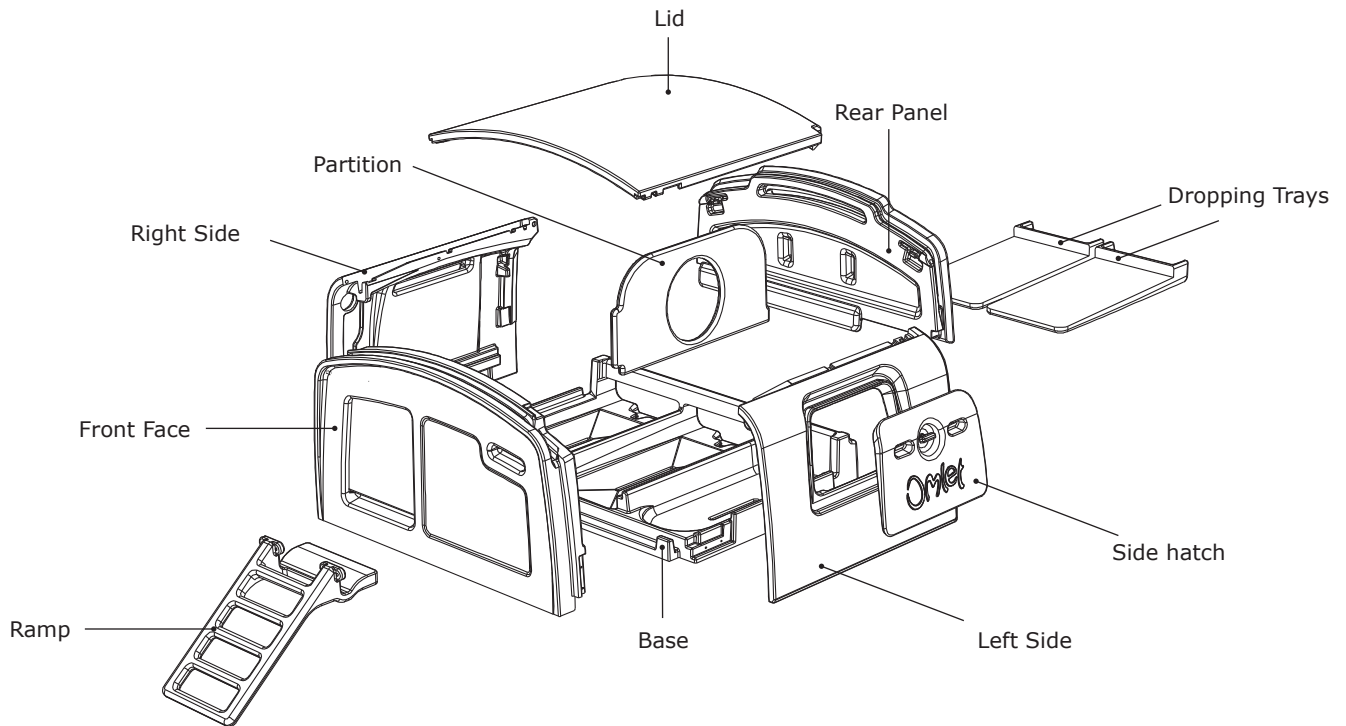


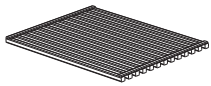


Instruction Manual

What you have received



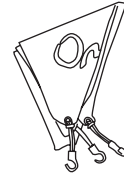
Accessories



Roosting Rack



Feeder & Drinker

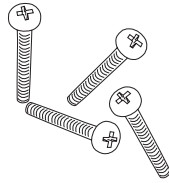


Shade

Fixings



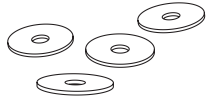
Small bolts x 46



Large bolts x 4



Nut x 4



Flat Washers Large x 8

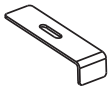


Flat Washers Small x 4

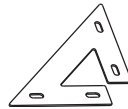


Serrated Washers

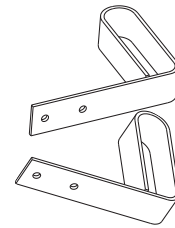
Brackets



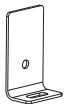
Side to Front Bracket x 2



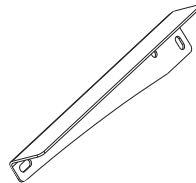
Triangle Bracket x 2



Foot Pedal x 2



Side to Base Bracket x 2



Lid Runner x 2

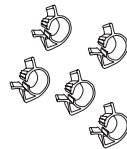


Lid Hook x 2

Clips



P-Clip x 4

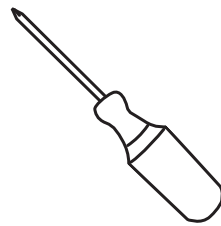


Run Clips > 80

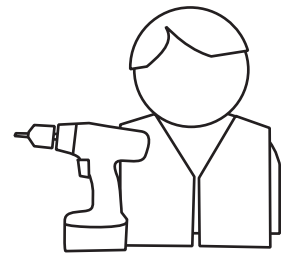
Other things you might need



Around 2 hours to assemble your eglu cube



A Phillips Screwdriver



A friend with a cordless screwdriver could also come in handy

What should I do with the packaging?

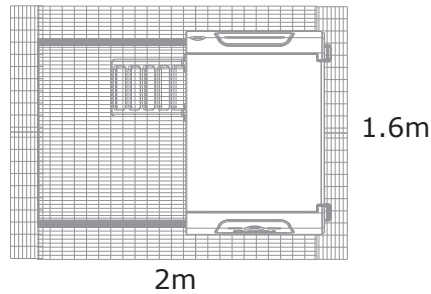
If your eglu arrived by courier, please remember to retain all the packaging it arrived in. In the case that you wish to return the eglu or any part of the eglu, it must be sent back in the original packaging and have no more than normal wear and tear to receive the full product refund.



Assembling Your Eglu Cube

Step 1 - Find a suitable surface and location in your garden

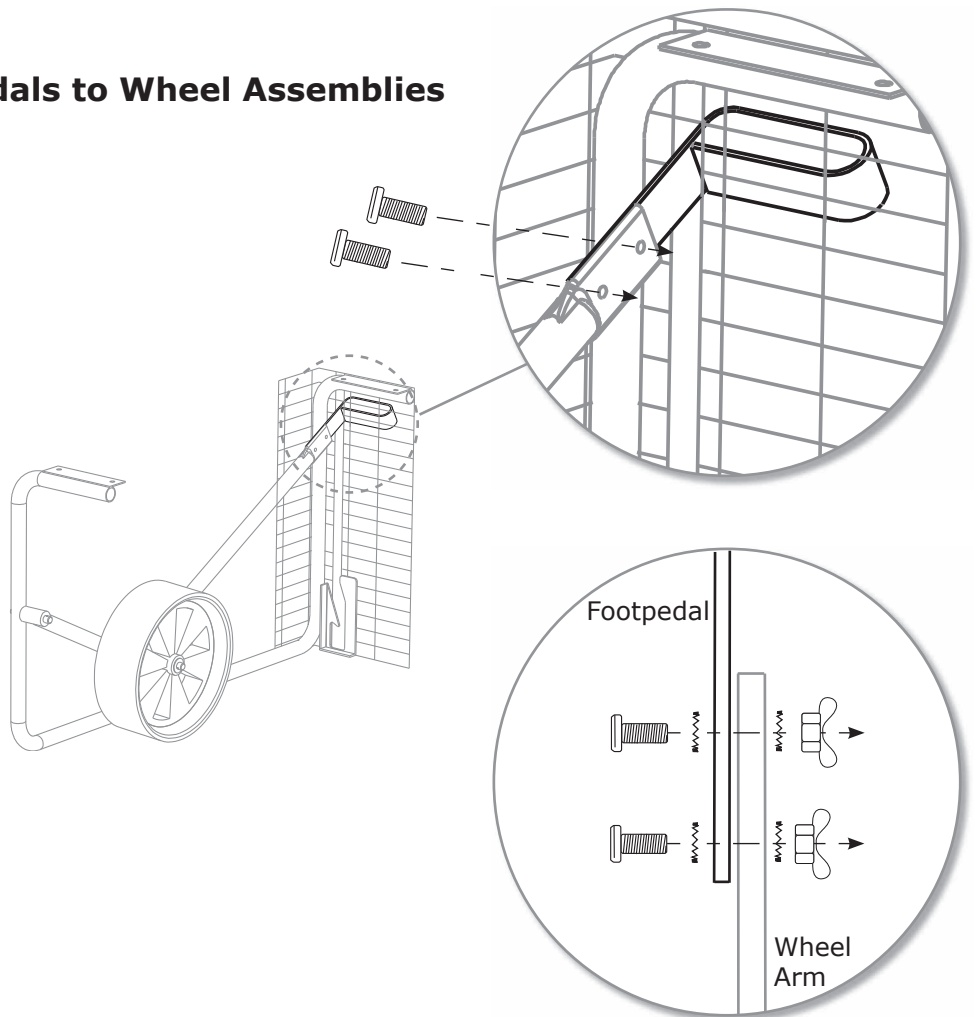
Make sure you assemble the eglu on a spot that is reasonably even and flat. The diagram shows the eglu cube dimensions only. Make sure you leave enough space behind the eglu to allow the dropping tray to be removed, enough room in front to open the run door and enough room on the side to pull the door front door handle out.



Step 2 - Attach the Footpedals to Wheel Assemblies

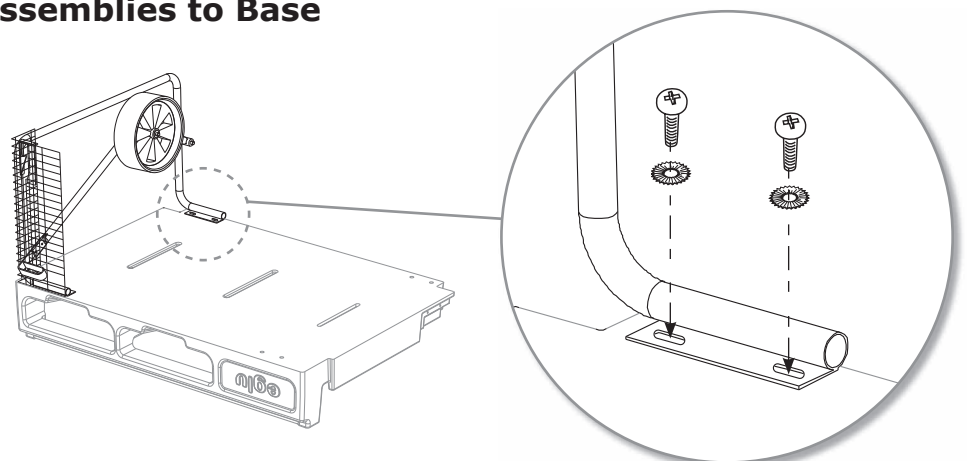
Take a Footpedal and line it up with a wheel assembly arm by threading it through the slot in the mesh panel with the pedal pointing inwards.

Bolt the footpedal to the wheel assembly by threading one of the Small Bolts through a serrated washer then the pedal arm, the wheel assembly arm, another serrated washer and finally a nut on the end. Do this through both holes, then tighten the nuts.



Step 3 - Attaching Wheel Assemblies to Base

Place the base upside down on the ground. Loosely bolt the wheel assemblies to it using serrated washers and Small Bolts. You will need 4 Small Bolts to hold each Wheel Assembly to the Base.

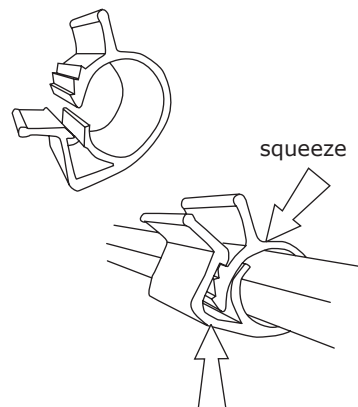


How do I use the Run Clips?



To join two run panels together, you need to use the Clips supplied. Simply spread the arms and place around the two wires to be joined. Squeeze the clip and it will close up and join the wires as shown in the diagram.

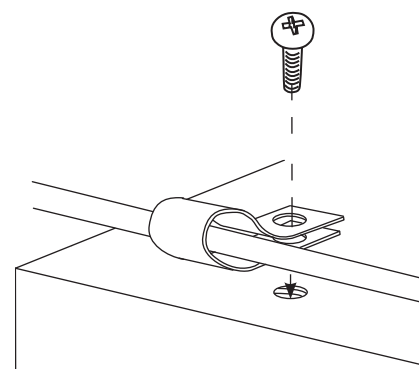
If you wish to undo a clip, spread the 'arms' apart. You may find it easier to use a coin or knife to spread the arms.




How do I use a P-clip?




To join a run panel to the base you need to use a P-clip. Simply slide the Clip over a wire of the Run panel and using a Small Bolt, bolt the clip to the Base.

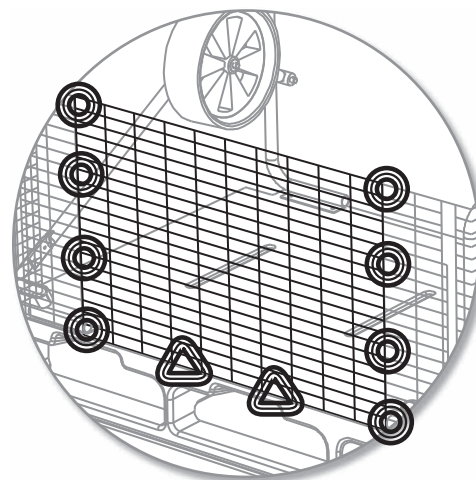
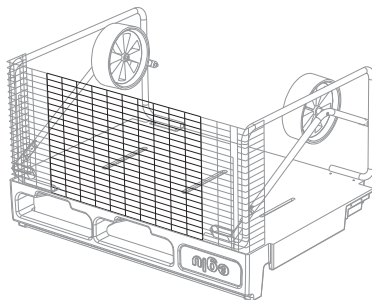


Step 4 - Clip the Rear Panel to the Wheel Assemblies

Using the clipping method described above, clip the rear panel to the frames in the positions shown by the  symbols in the diagram.


Bolt the Rear Panel to the base using two P-Clips in the positions shown 

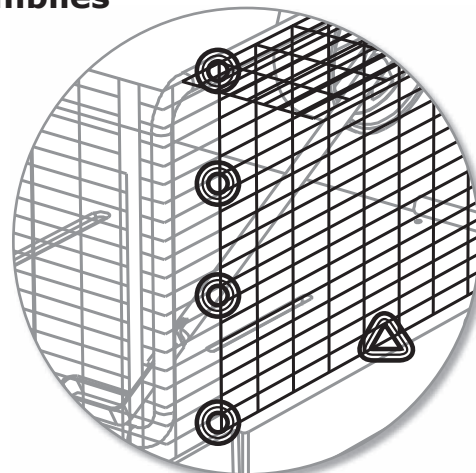
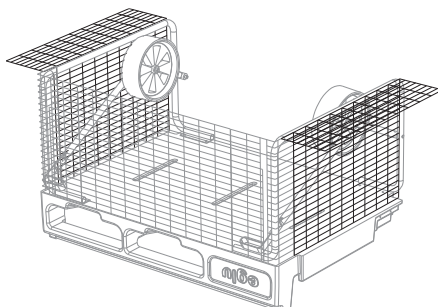
Now tighten up all 8 bolts that hold the frames to the base, making sure the frames are pushed as near to the edge of the base as they will go.



Step 5 - Clip the Small Side Panels to the Wheel Assemblies

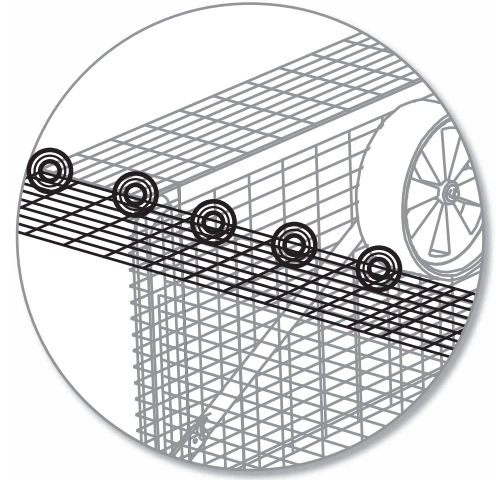
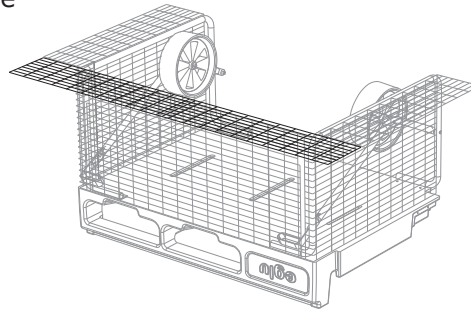
Clip the Small Side Panels to the Frames. Ensure that you use the correct Small panel on each side. The edge that has a bit of skirt sticking out should be towards the back of the eglu.

Bolt each Small Side Panel to the Base with a P-Clip. 



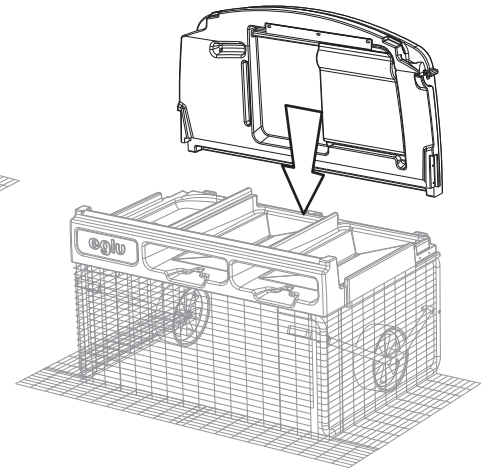
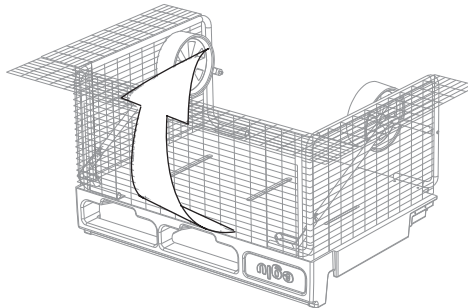
Step 6 - Clip the End Skirt to the Rear panel and Small Side Panels

The End Skirt panel should join the edges of the Small Side Panels, but overlap the rear panel by one rectangle.



Step 7 - Place the Front Face on to the Base

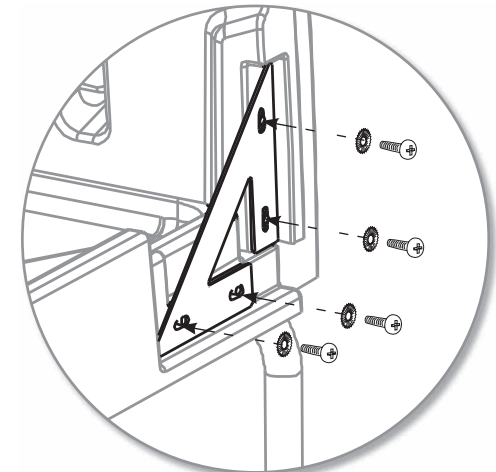
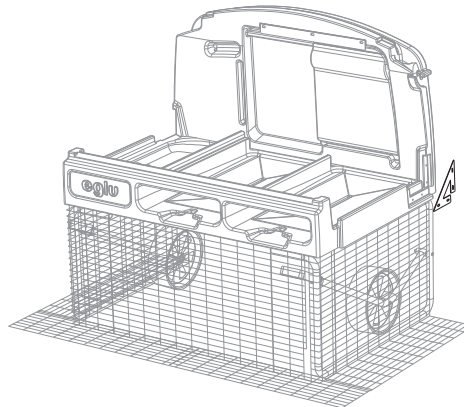
Turn the Base the right way up. Take care to keep your hands away from the area the footpedals travel in, they can move quickly when turning it over. Slide the Front Face onto the Base.



Step 8 - Attach the Triangular Brackets

Attach the Front Face to the Base using the two Triangle Brackets, (the image shows one side only.) As shown in the diagram they are held on with four Small Bolts and Serrated Washers.

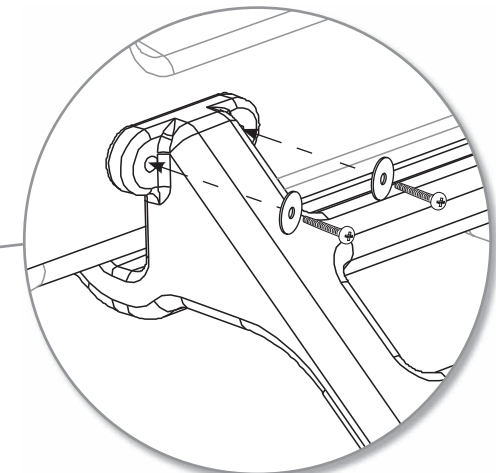
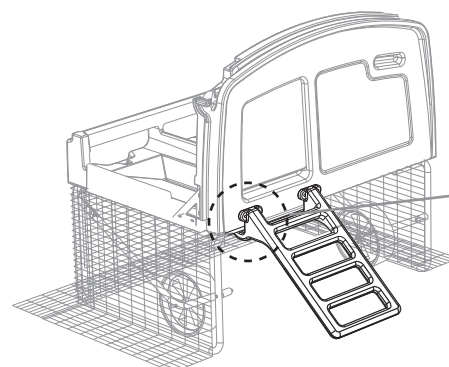
Put the bolts in loosely to begin with. Make sure the Front Face is as far down as it can go and leaning as far back as it can before tightening the bolts up.



Step 9 - Attach the Ladder

The Ladder attaches with the four Long Bolts and four Small Flat Washers supplied. (The image shows two of the fixing points, the other two are on the other side.)

To line up the Ladder first screw the outer Large Bolts in loosely then add the inner Large Bolts. Only tighten the bolts once all four are in position.

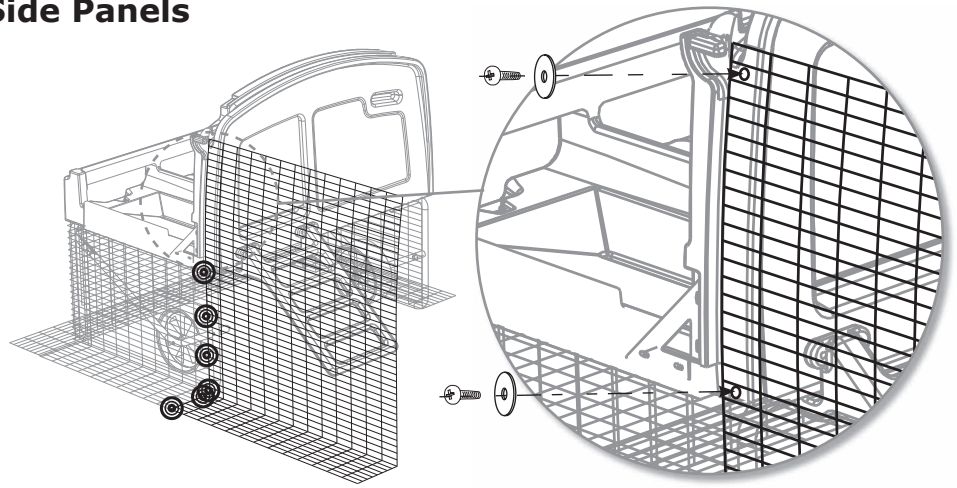


Step 10 - Attach the Large Side Panels

First bolt the panel loosely to the Front Face using two Small Bolts and two Large Flat Washers. (The top bolt goes through the second mesh hole down as shown.)

Clip the Large Side Panel to the Small Side Panel. This will be easier if you raise this side of the eglu using the wheel. Lower the eglu back down and then tighten the bolts.

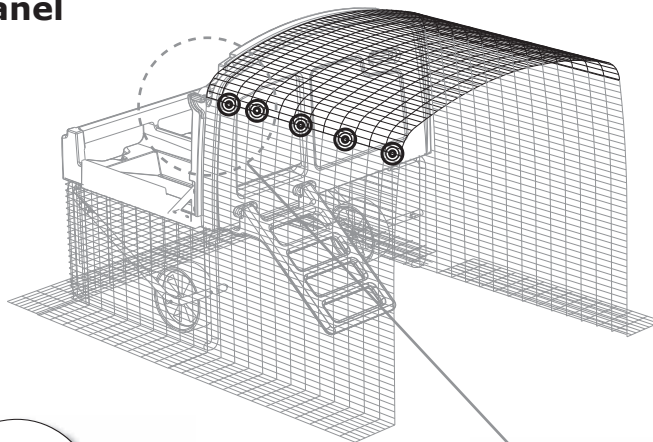
The image shows the Right Large Side Panel only. Now repeat the process for the other side.



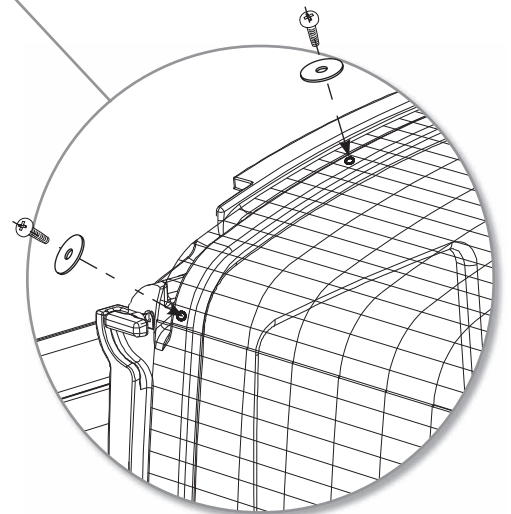
Step 11 - Attach the Roof Panel

The Roof Panel is fitted in a similar way to the Large Side Panels. Firstly loosely bolt the panel to the Front Face with four Small Bolts and four Large Flat Washers.

Clip the Roof Panel to the Large Side Panels in the positions shown, (mirror these positions for the other side.) Finally tighten up the four Small Bolts.



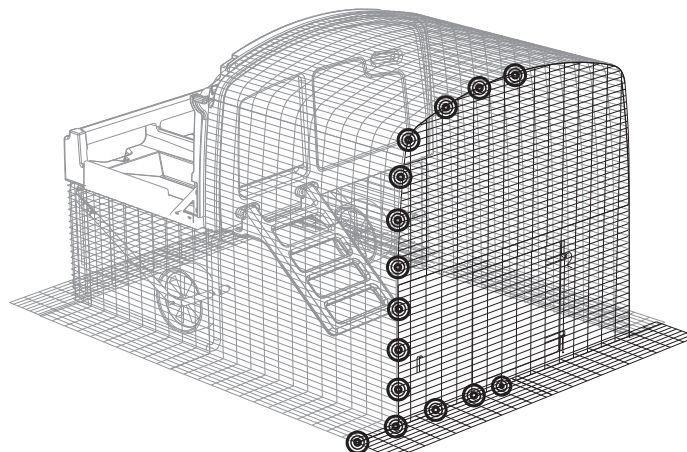
If you have an extension
Now is the time to attach it. Go to the next page for fitting instructions.

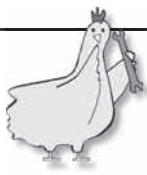


Step 12 - Attach the End of the Run and Skirt Panel

Firstly clip the Skirt Panel to the bottom of the Lower Front panel. Clip it on such that it underlaps the panel by one rectangle and the largest part of the Skirt Panel sticks out on the side that the door opens.

You can now clip this whole assembly to the end of the run. Start by lining up and clipping the bottom of each side and work your way up to avoid any misalignment.





Special Steps - How to attach an Extension

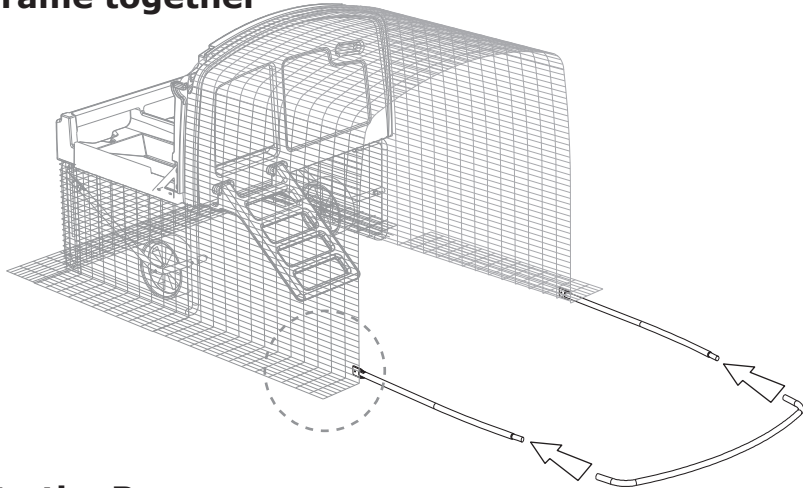
If you do not have an extension goto step 12

Step A - Connect the Run Frame together

Lay the Frame sections on the ground in front of the eglu. The curved section of the Frame simply slides onto the two side pieces.

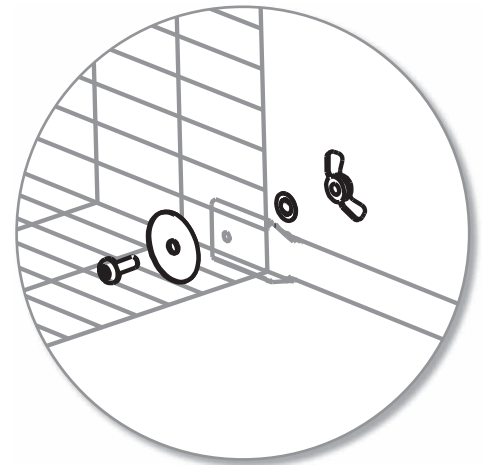
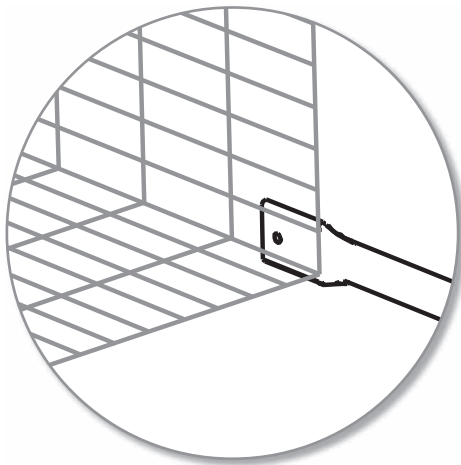
Line up the frame with the run making sure that the flat sides of the tube ends are against the inside of the run.

Also ensure that the hole in the tube is half way along the first rectangle in the mesh.



Step B - Attach the Frame to the Run

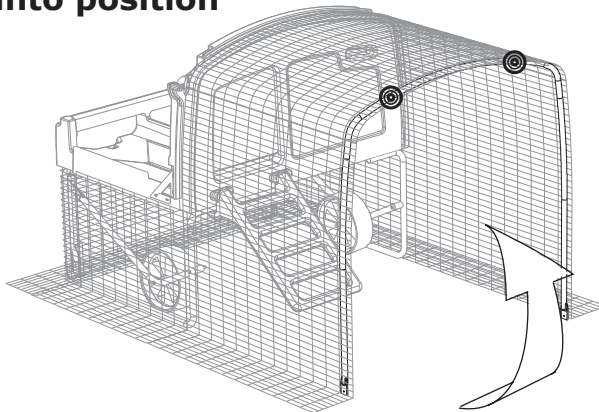
Attach both ends of the frame loosely to the run using the following: Small Bolt, Large Washer, Serrated Washer and Wingnut.



Step C - Swing the Frame into position

Swing the Frame into a vertical position. Secure the Frame in place using two zip ties in the positions shown by a ⊙

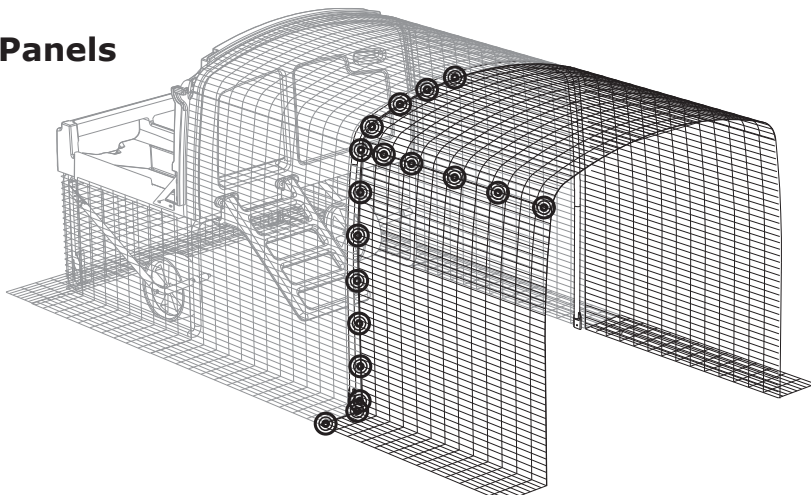
To ensure the frame does not change position ensure the wingnuts are nice and tight.



Step D - Attach Extension Panels

You can now clip the Large Side Panels and Roof Panel sections of your extension, putting the clips in the positions shown.

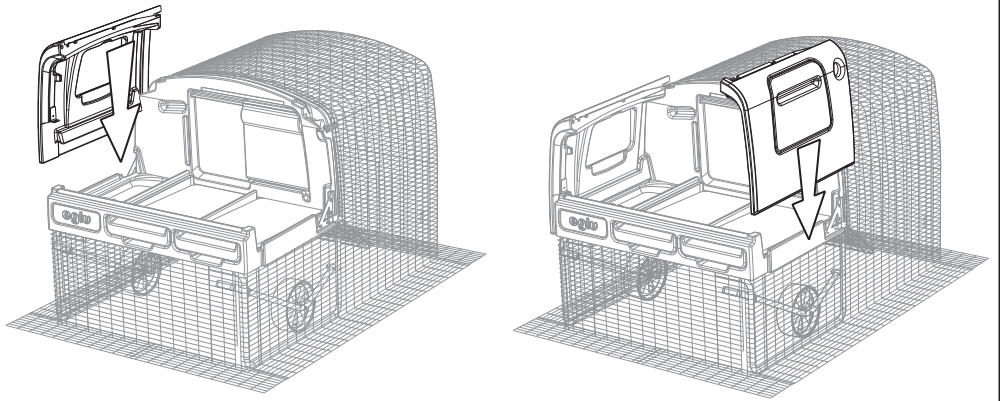
Go to Step 12



Step 13 - Place the Side Panels on the Base

Place the Side Panels over the tabs on the Base. Note: The Side with the Side Hatch must go on the lefthand side - over the nest box.

Once this is complete, you can put the Roosting Rack in place.



Step 14 - Bolt the Side Panels to Base and Front Face

The Side Panels are attached using two Brackets, Short Bolts and Serrated Washers.

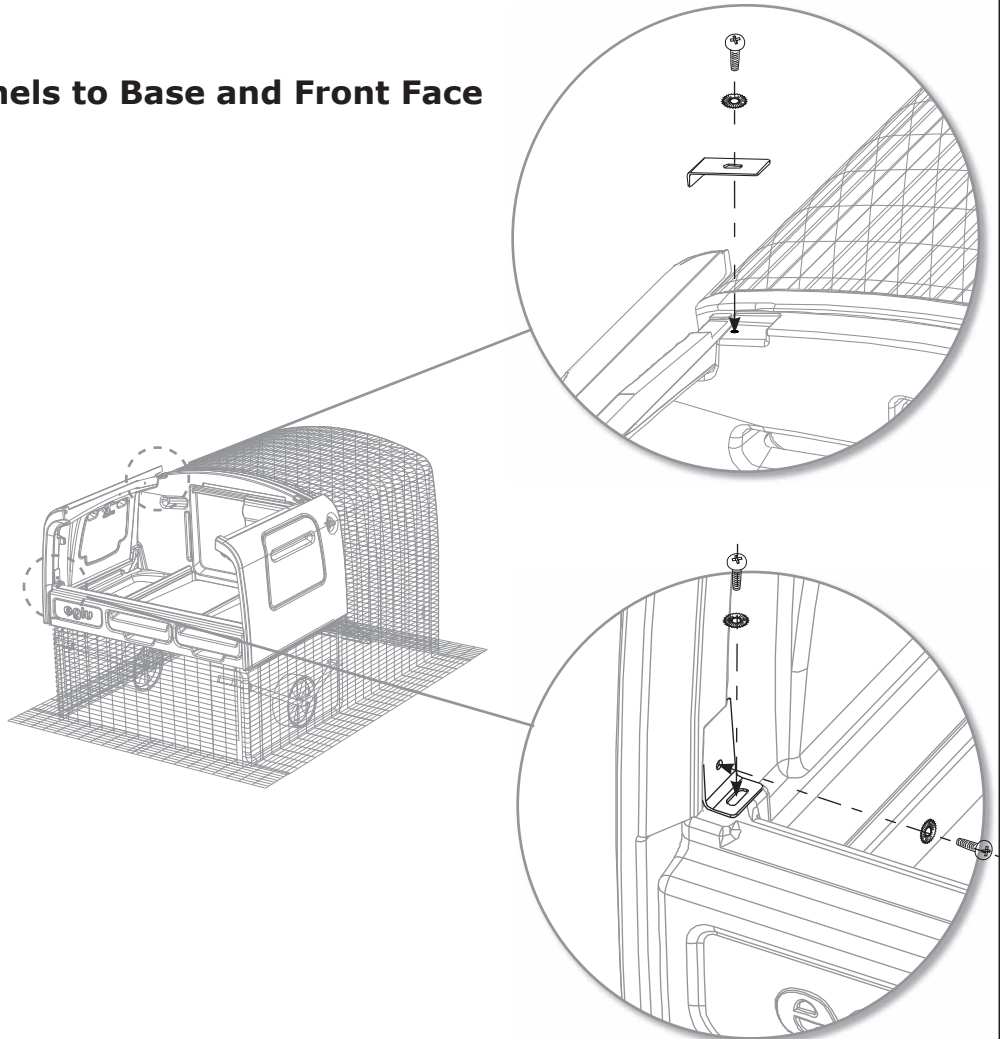
Top Front Bracket

Make sure that the side panel is pushed as far down onto the Base as possible before bolting it on. Using the Side to Front Bracket bolt the Side Panel to the Front Face.

Bottom Back Bracket

Firstly bolt the Side to Base Bracket to the Side Panel through the circular hole.

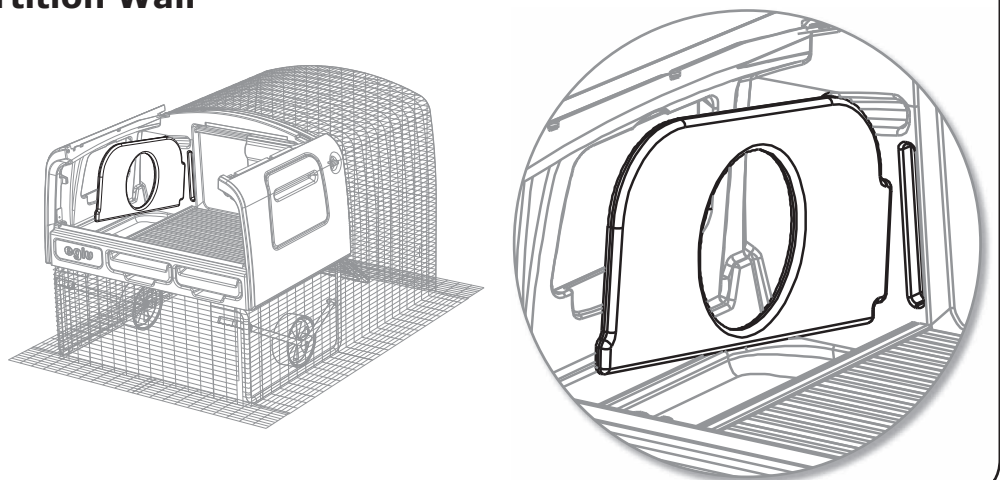
Finally bolt the Bracket, holding the Side Panel to the Base. You will need to hold the Side Panel in place to line the bolt up with the hole.



Step 15 - Inserting the Partition Wall

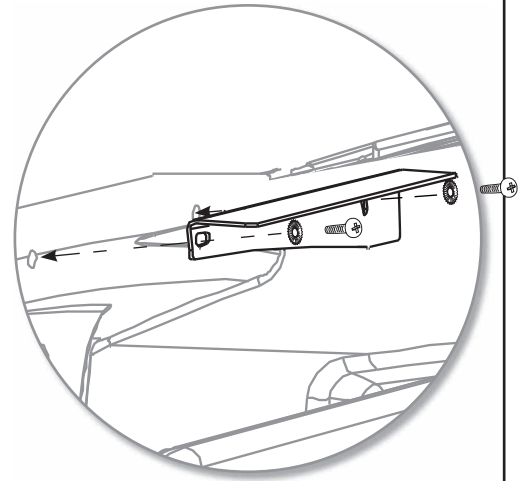
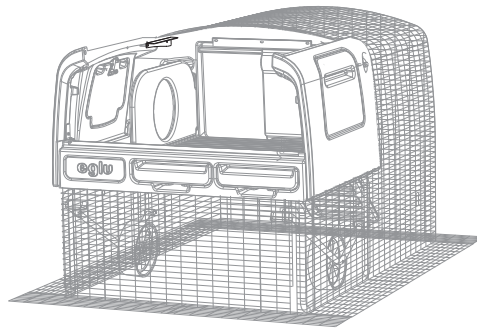
The partition wall has no Bolts. Push it into to the slot on the Front Face and Base.

The Partition can be easily removed when cleaning the eglu cube.



Step 16 - Screw the Lid Tracks onto the Side Panels

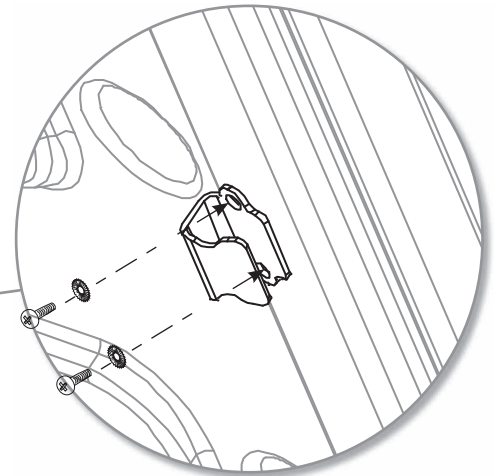
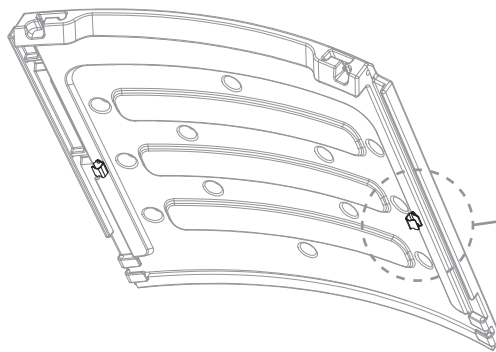
Attach the two Lid Tracks on using two Small Bolts and Serrated Washers.



Step 17 - Screw the Lid Hooks onto the Side Panels

Attach the two Lid Hooks on using two Small Bolts and Serrated Washers.

Note: make sure the open side of the Hook is pointing outwards.

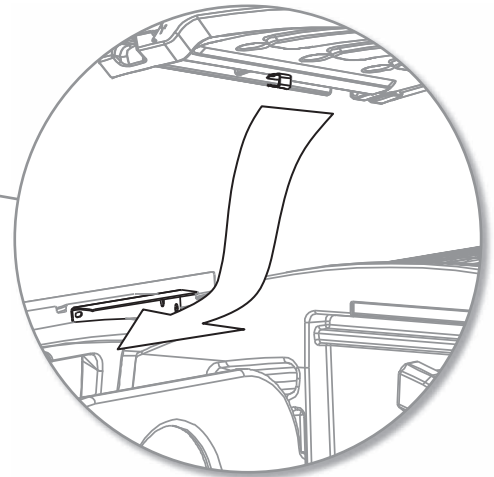
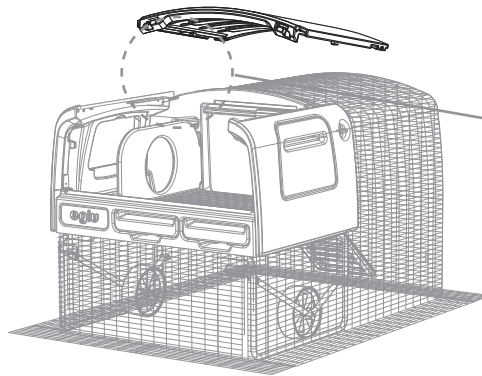


Step 18 - Fitting the Lid

To put the Lid on, lift it to the top of the eglu, with the bolts at the back.

Lower the Lid down making sure the Lid Tracks (highlighted in the detailed image), drop down in front of the Lid Hooks (again highlighted in the detailed image), on the side panels.

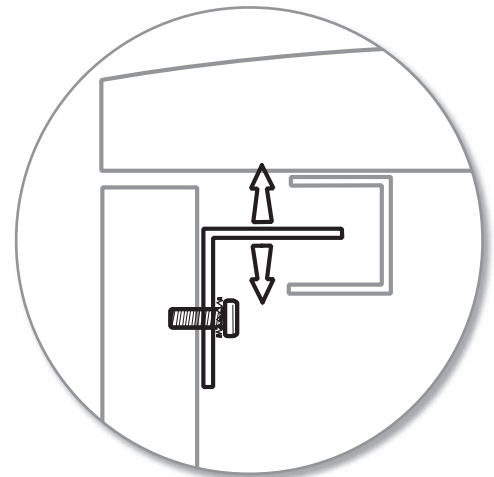
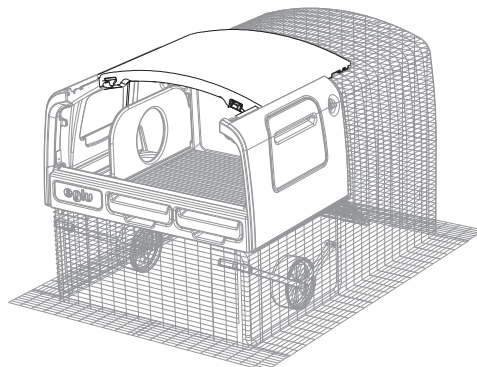
At this point you could slide the lid backwards, but until the back panel is on, leave it in the forward position as in the next image.



Step 19 - Adjusting the Lid Tracks

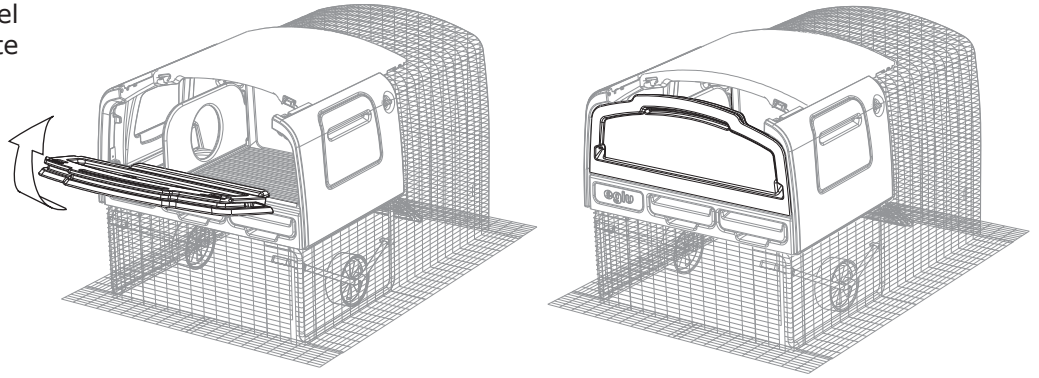
With the Lid in the position shown - as far forward as it goes you may need to adjust the Lid tracks.

By loosening the Small Bolt nearest the front of the Lid Track you need to make sure the front edge of the Lid Track is half way up the Lid Hook. Once in position, tighten up the bolt.



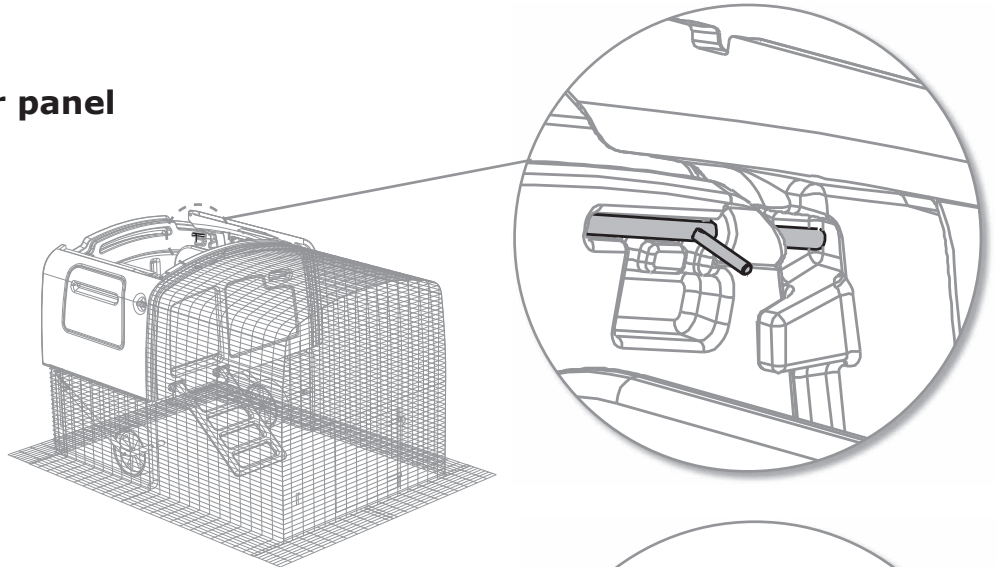
Step 20 - Fitting the Rear Panel

Place the bottom of the Rear Panel on the back of the Base then rotate it up to vertical.



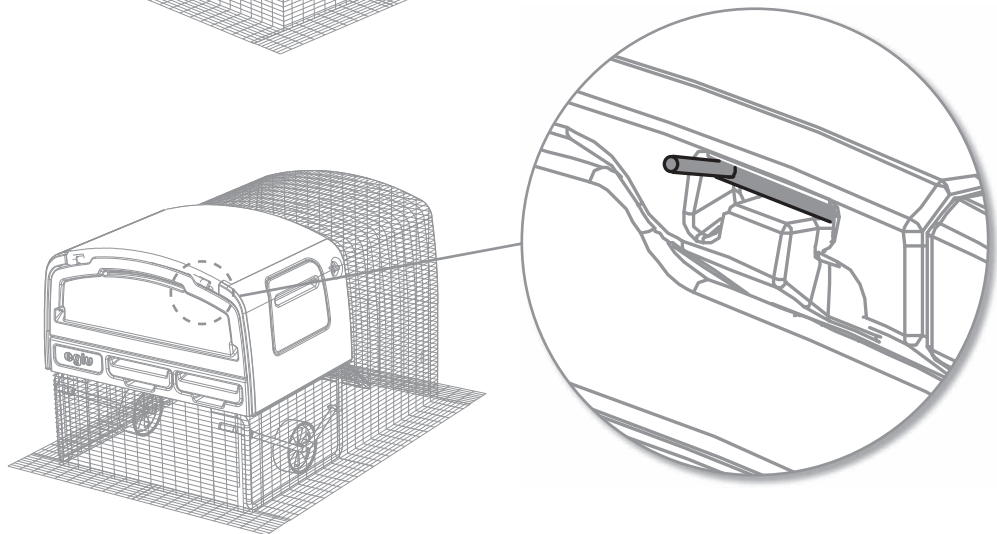
Step 21 - Locking the Rear panel

The Rear Panel locks to the side panels with two locking bolts on the inside of the panel. Simply rotate the arm of the bolt, slide the bolt across and rotate the arm back again. Do this on both sides and the Rear Panel will be held in place.



Step 22 - Locking the Lid

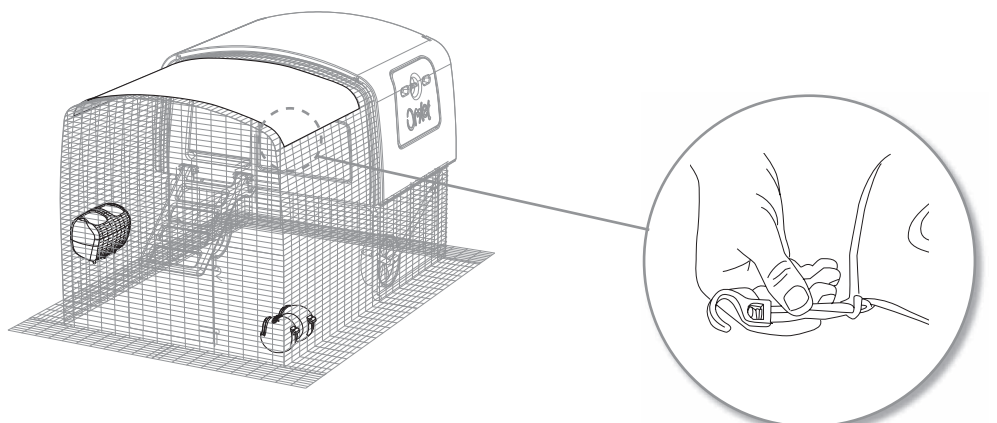
Slide the lid to the rear of the eglu. It will be slightly stiff as it travels along its metal runners to make sure it is held down nice and securely. The lid is locked on using two bolts identical to the ones holding the Rear Panel.



Step 23 - Attach the Accessories

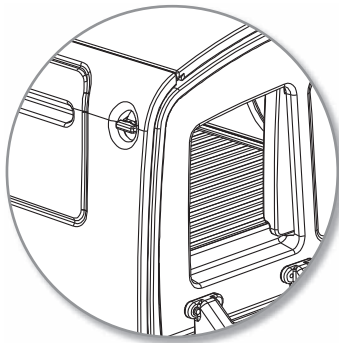
Shade - This is held on with four hooks on bungee cords as shown. Hook the corners onto the run making sure that it is held reasonably taut to prevent it flapping in the wind.

Feeder and Drinker - These can be attached to the run using the hooks on the backs. Open the door at the end of the run and reach in hanging them on the side walls of the run. The drinker should be placed such that the chickens have to reach up to drink from the nipples.

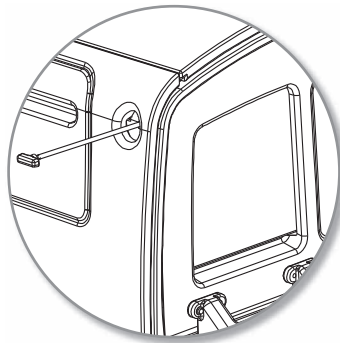


Guide to Using Your Eglu Cube

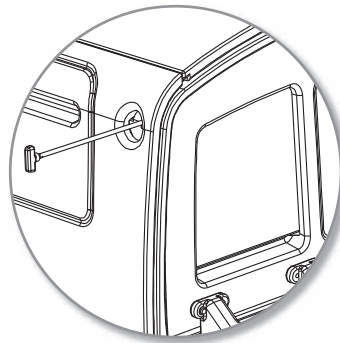
How to use the front door



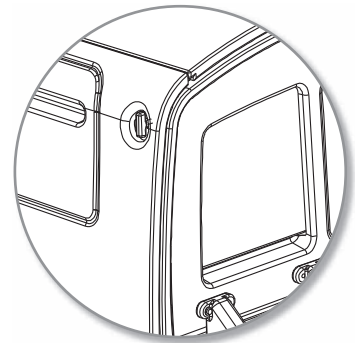
When the door is open the door handle will be horizontal



Close the door by pulling the handle out

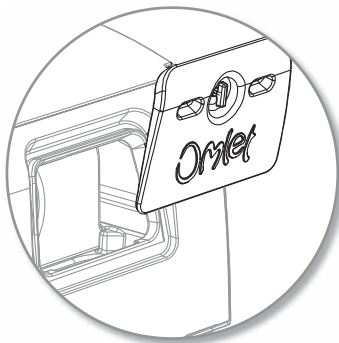


Twist the handle clockwise by 90 degrees



Push the handle back into the eglu. To open the door simply follow these steps in reverse

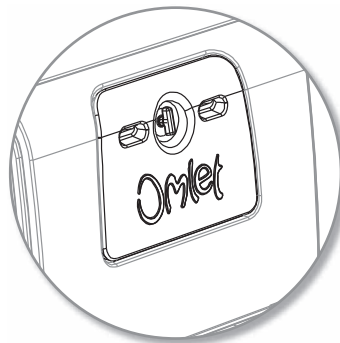
How to close the Eggport



Don't forget to put the eggport back on after collecting your eggs



To put the eggport on, align the bottom edge on the side panel

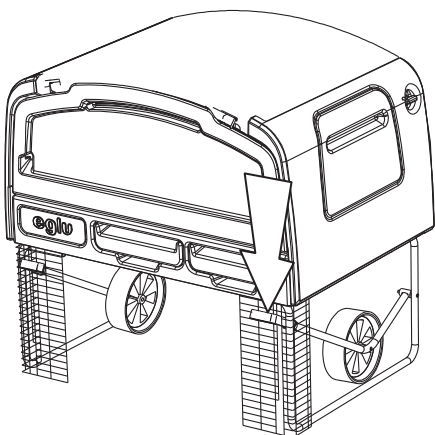


Push the top edge into place

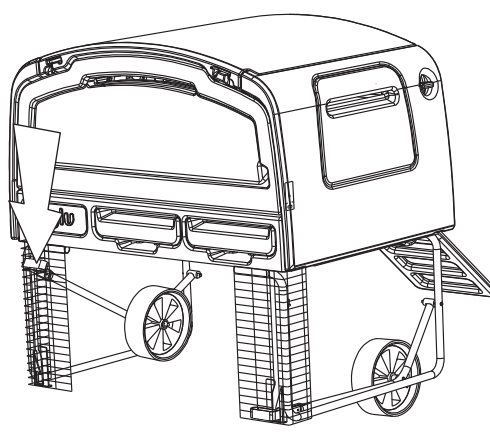


Now twist the handle 90degrees clockwise until you feel it stop

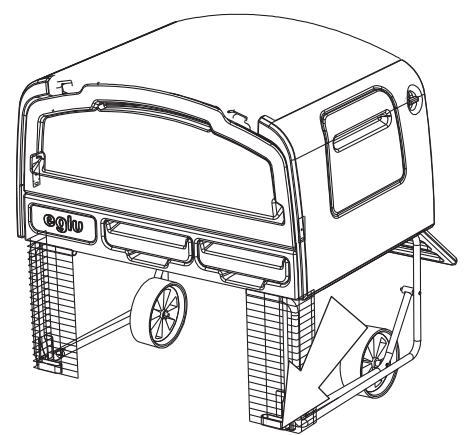
How to engage the Wheels



Press down on a footpedal with your foot until the pedal clicks into position at the bottom of its travel



Repeat this with the other footpedal to lift the eglu cube and run several inches off the ground

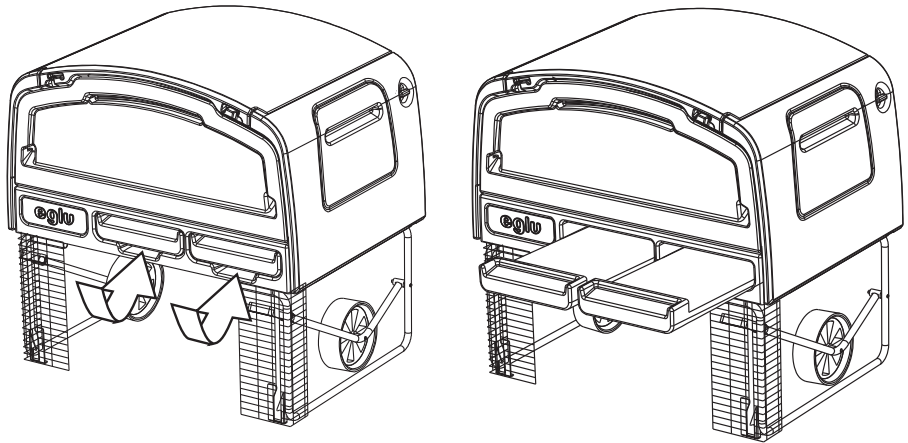


Once moved, you can dis-engage the wheels by pressing down and across with your foot allowing the eglu back down to the ground

How to use the droppings trays

Chickens do around 70% of their droppings at night. You can add this to your compost heap or dig into the vegetable patch for prize greens. Do not put directly onto flowers because its too strong.

We recommend that the droppings trays are emptied every 2 to 3 days and clean the whole eglu every 2 to 3 weeks. For easy cleaning, line the dropping trays with newspaper.



Release the clip underneath each tray by pressing up on the underside of each tray. Ensure the clip engages when putting the trays back.

Do's and Don'ts



- Do** collect and enjoy your eggs everyday.
- Do** Take extra care when using the lawn mower around the foot plate of the run.
- Do** make sure your hens have enough food and water.
- Do** let your chickens out of the eglu everyday. If you are away, then leave the eglu door open so that the chickens can get out into the run in the morning.

- Don't** sit or climb on the run.
- Don't** let children climb inside the run or eglu unsupervised by adults.
- Don't** leave the door of the run open while your chickens roost.
- Don't** keep the eglu on uneven ground as this will make the run less secure.
- Don't** use bleach, solvents or strong detergent to clean the eglu.
- Don't** keep the eglu near sources of ignition, such as a bonfire or barbecue.
- Don't** use the eglu for anything other than housing pets.
- Don't** keep more than 4 heavy breeds or 6 medium sized breeds (like the Gingernut Ranger and Miss Pepperpot) in the eglu with the standard 2m run.
- Don't** keep more than 6 heavy breeds or 10 medium sized breeds (like the Gingernut Ranger and Miss Pepperpot) in the eglu with the standard 2m run and a 1m extension.

If you have any problems assembling your eglu cube call us on
0845 450 20 56 or email **info@omlet.co.uk**